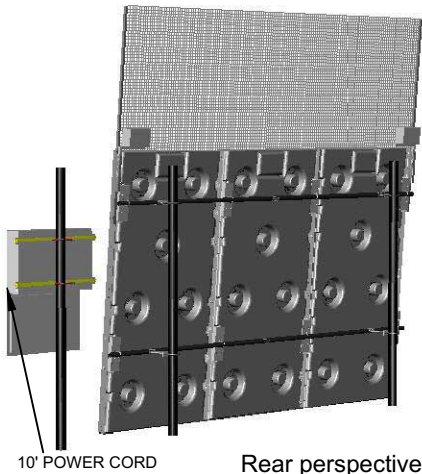


# Sportwall™

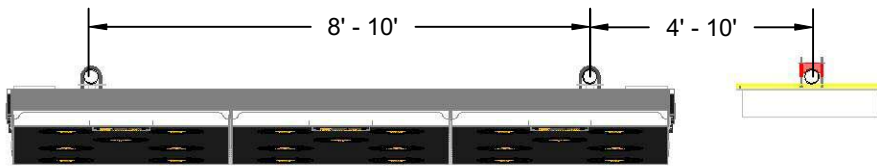
## Performance-PT 1200 Specification Layout

Rev # 2/14/07



10' POWER CORD

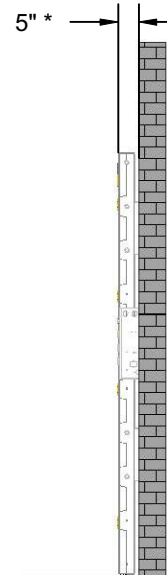
Rear perspective with back slope



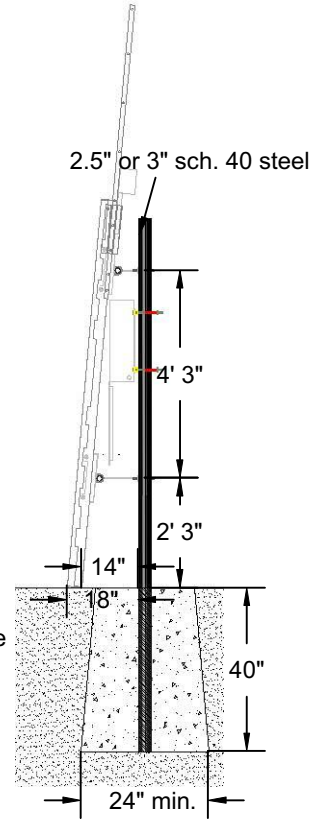
Top view with back slope



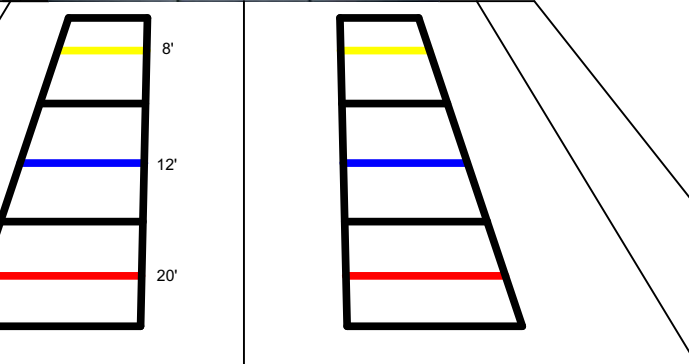
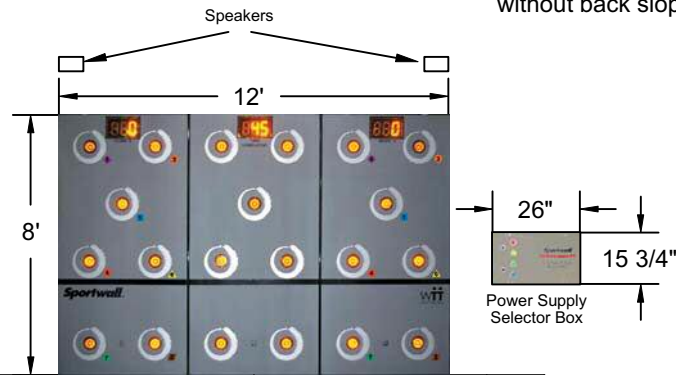
Top view without back slope



Side view without back slope



Side view with back slope



Floor markings recommended but not supplied

15' W x 20' D minimum

30' W x 60' D ideal

\* For stud wall installation add 2"

Floor markings not to scale - call for details

# Product Specification Sheet



PRODUCT NAME: Sportwall Performance PT 1200  
PART NUMBER: 4-6501

Rev # 2/14/07

SPECIFICATIONS		Quantity
Dual Laminate ABS Panels	8' high x 4' wide x 4" deep	3
System Footprint	12' wide x 18" deep (with backslope); 12' wide x 5" deep (without backslope)	
Panel Weight (each before sand filing)	90 lbs	
Color	Grey with Silver Targets, Blue with White Targets, or Green with White Targets	
System power requirements	100-240 V receptical, 3 amps	1
System Fill Material per Panel	Dry Sand - 225 lbs	

FEATURES		
Scoreboard	YES	2
Super Brite LED Targets	YES	21
Pre-programmed Games / Levels	YES	62
Game / Level / Time Display	YES	1
Indoor / Outdoor Speakers	YES	2
Catch Net	YES (4' high x 12' wide) Outdoor Only	1
Pre-programmed Audio	YES	
Auto Restart Mode	YES	
Remote Control w/Quick Start Guide	YES	2
Coin Operation	YES (available as added option)	0
Ball Kit with duffle bag (2 noodles, 2 balls each size 5", 7", 8.5" and 6 juggle balls, 2 rebound medicine balls)	YES	2
Point of Sale Kit		

PROGRAMS & SUPPORT FEATURES		
Sports-PC & Off the Wall Skills	YES	1
Challenge Marketing Kit		
Game Instruction Manual	YES	1
Quick Start Poster	YES	1
OTWSC Official Certification Site Banner	YES	1

CUSTOMER SITE AND INSTALLATION REQUIREMENTS		
Minimum Play Area	15' wide x 20' deep (if flush mounted) 15' wide x 40' deep (if back sloped)	
Ideal Play Area	30' wide x 40' deep (if flush mounted) 30' wide x 60' deep (if back sloped)	
Support Posts Required	YES (8'-10' apart, 7' high minimum above ground, 2.5"-3" diameter, schedule 40 with a foundation 24" wide x 40" deep)	2
Indoor or Outdoor	YES (if outdoor, best if facing away from the sun & side-on to prevailing winds)	
Surface Requirements	Level & clear (concrete, asphalt or sport court recommended)	
Site Survey Required	YES	